

P r o d u c t M a n u a l

K a m o e r F l u i d T e c h (S h a n g h a i) C o . , L t d .

V e r s i o n : A / 0

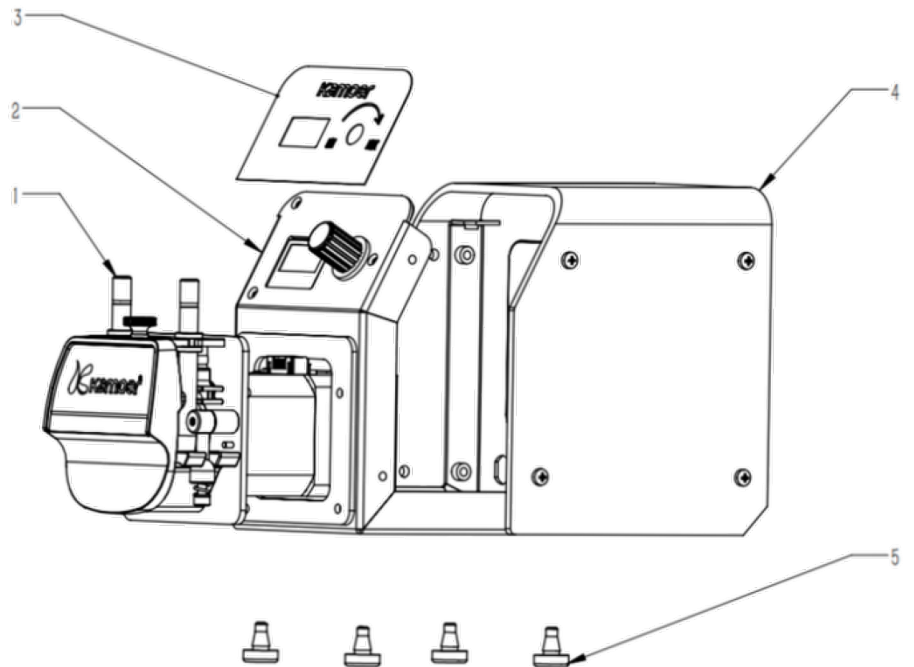
Product name	Calcium Reactor Pump
Product model	FXSTP-3
Execution date	2020.11
Company name	Kamoer Fluid Tech (Shanghai) Co., Ltd.

1. Product Overview

1.1 Product physical picture



1.2 Product assembly drawing



NO.	Name
1	KCS3 Peristaltic Pump
2	Lower Shell
3	Front Sticker
4	Upper Shell
5	Machine Foot



1.3 Model definition

FXSTP 3	FX	STP	3
Model	Product Series	Peristaltic Pump	Motor Gen

Standard

Standard	Nation	Americ	Europe	Briti	Australi
	Standard	Standard	Standard	Standard	Standard
Code	GB	US	EU	UK	AU


1.4 Interface definition



Definition of each interface:

- 1 Display Screen
- 2 Adjustment Knob
- 3 Looking Joystick
- 4 Water Inlet
- 5 Water Outlet
- 6 DC24V Power Interface

1.5 Opti oPnuamp head

Pump head	Pump tube wall	Number of	Picture
KCS3	1.6mm	3 rotors	



1. Performance characteristics and typical applications

1.6.1 Performance characteristics

High precision-hoopper drive, supporting motor speed
 Uses -ll iong tubing in pump head
 Remote control using Wi-Fi Kamoer Remote App
 Flow calibration function
 Memory Backup settings will be saved and restored
 Count the tube usage time and alarm at the end of

1.6.2 Typical Applications

Calcium reactor

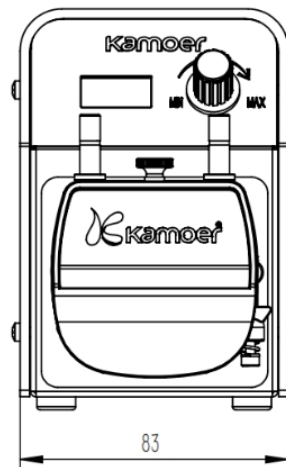
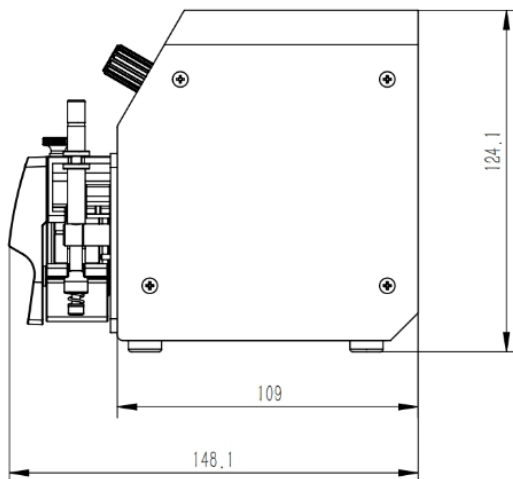
1.7 Product Risk Warning

Hoses are resistant to liquid media. Need to check tests, improper hose selection may cause hose damage. The working environment of the product should not exceed 80% (no condensation). The harsh working environment will damage the product.
 Fluid leakage accidents due to hose ruptures depend on application conditions.
 High overloading may result in premature failure.



2. Product specification

2.1 Product Size



2.2 Product main material

Upper / lower	KCS3 pump head					
	Buckle	Motor	Mount	Roto	Synchronous	Connector
Sheet Metal	Aluminum	Cast Iron	Boiled Steel	PEI	Titanium	Aluminum

2.3 Technical Parameters

Project		Technical parameters
Basic parameters	Power supply	DC24V 2A power adapter
	Overall weight	About 1145g
	Maximum Power	50W
	Maximum Speed	300 rpm
	Speed regulation resolution	0.1 rpm
	Motor type	Stepper motor
	Motor life	6000 hours
	Work environment	Temperature: 4~40, relative humidity < 80% RH, no condensation
	Reference noise	56dBa (the horizontal distance between the pump head and the noise measurement point is 1m)
	Interface	Rotary Encoder / Wi Fi



Referent Flow Rate	ID × OD of Tube (mm)	3.2 × 6.4
	Maximum flow rate at 350rpm (ml/min)	150

Supplementary Instructions:


The above parameters were measured with pure water under standard pressure and room temperature. The data are for reference only and can be customized according to customer requirements. Due to the material properties of the hose, prolonged extrusion when not in use) may occasionally lead to adhesion. If adhesion occurs, please clean it by hand. To avoid this issue, ensure the hose is kept in liquid.

3. Instructions for placing an order






3.1 Overall unit

Name	Material number
FXSTP-GB	CA.02.04.0001
FXSTP-US	CA.02.04.10001
FXSTP-EU	CA.02.04.20001
FXSTP-UK	CA.02.04.30001
FXSTP-AU	CA.02.04.40001

3.2 Accessory

Parts name	Type	Accessories	Function and production
Split type power adapter body 10.08.0250	Standard Configuration		For power supply, used in conjunction with adapter plug Split power adapter plug (10.08.0179) US (10.08.0176) EU (10.08.0180) AU (10.08.0175) UK



Silicone Tubing Standard Configuration 14.03.0015		6.4 * 9.6mm connect to Calcium Reactor
Silicone Tubing Standard Configuration 14.03.0024		3.2 * 6.4mm
Water Pipe Straight Through Configuration 32.05.0045		1/8" to 1/4"
Barbed Pump Assembly Tubing Standard Configuration BB.17.0010181		Suitable for 3.2 * 6.4mm hoses
Quick Connect Pump Tubing Assembly Optional BB.15.0195		1/4 quick plug connecting PVC hard pipes

